

# XR-2211

## FSK Demodulator/Tone Decoder

The XR-2211 is a monolithic phase-locked loop (PLL) system especially designed for data communications. It is particularly well suited for FSK modem applications. It operates over a wide supply voltage range of 4.5 to 20V and a wide frequency range of 0.01 Hz to 300 kHz. It can accommodate analog signals between 2 mV and 3V, and can interface with conventional DTL, TTL and ECL logic families. The circuit consists of a basic PLL for tracking an input signal within the pass band, a quadrature phase detector which provides carrier detection, and an FSK voltage comparator which provides FSK demodulation. External components are used to independently set center frequency, bandwidth, and output delay.

### FEATURES

Wide Frequency Range	0.01 Hz to 300 kHz
Wide Supply Voltage Range	4.5V to 20V
DTL/TTL/ECL Logic Compatibility	
FSK Demodulation, with Carrier-Detection	
Wide Dynamic Range	2 mV to 3 Vrms
Adjustable Tracking Range ( $\pm 1\%$ to $\pm 80\%$ )	
Excellent Temp. Stability	20 ppm/ $^{\circ}\text{C}$ , typ.

### APPLICATIONS

- FSK Demodulation
- Data Synchronization
- Tone Decoding
- FM Detection
- Carrier Detection

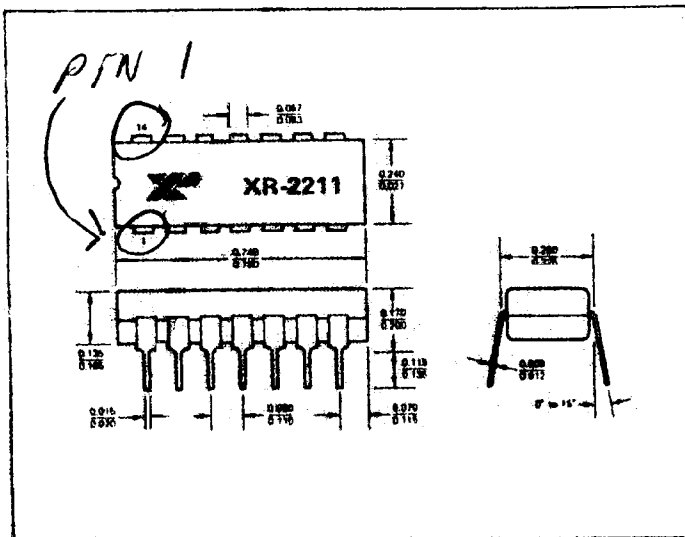
### ABSOLUTE MAXIMUM RATINGS

Power Supply	20V
Input Signal Level	3V rms
Power Dissipation	
Ceramic Package:	750 mW
Derate above $T_A = +25^{\circ}\text{C}$	6 mW/ $^{\circ}\text{C}$
Plastic Package:	625 mW
Derate above $T_A = +25^{\circ}\text{C}$	5.0 mW/ $^{\circ}\text{C}$

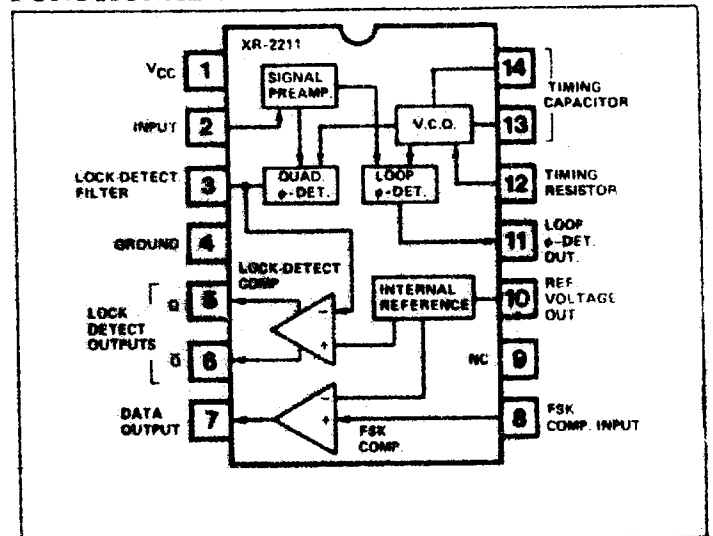
### AVAILABLE TYPES

Part Number	Package	Operating Temperature
XR-2211M	Ceramic	$-55^{\circ}\text{C}$ to $+125^{\circ}\text{C}$
XR-2211CN	Ceramic	$0^{\circ}\text{C}$ to $+75^{\circ}\text{C}$
XR-2211CP	Plastic	$0^{\circ}\text{C}$ to $+75^{\circ}\text{C}$
XR-2211N	Ceramic	$-40^{\circ}\text{C}$ to $+85^{\circ}\text{C}$
XR-2211P	Plastic	$-40^{\circ}\text{C}$ to $+85^{\circ}\text{C}$

### PACKAGE INFORMATION



### FUNCTIONAL BLOCK DIAGRAM



## CHARACTERISTICS

Conditions:  $V^+ = +12V$ ,  $T_A = +25^\circ C$ ,  $R_0 = 30 K\Omega$ ,  $C_0 = 0.033 \mu F$ . See Fig. 2 for component designation

CHARACTERISTICS	XR-2211/2211M			XR-2211C			UNITS	CONDITIONS
	MIN.	TYP.	MAX.	MIN.	TYP.	MAX.		
<b>GENERAL</b>								
Supply Voltage	4.5		20	4.5		20	V	$R_0 \geq 10 K\Omega$ . See Fig. 4
Supply Current		4	7		5	9	mA	
<b>OSCILLATOR SECTION</b>								Deviation from $f_0 = 1/R_0 C_0$ $R_1 = \infty$ See Fig. 8. $V^+ = 12 \pm 1V$ . See Fig. 7. $V^+ = 5 \pm 0.5V$ . See Fig. 7. $R_0 = 8.2 K\Omega$ , $C_0 = 400 pF$ $R_0 = 2 M\Omega$ , $C_0 = 50 \mu F$ See Fig. 5. See Fig. 7 and 8.
Frequency Accuracy		$\pm 1$	$\pm 3$		$\pm 1$		%	
Frequency Stability							ppm/°C	
Temperature		$\pm 20$	$\pm 50$		$\pm 20$		%/V	
Power Supply		0.05	0.5		0.05		%/V	
Upper Frequency Limit	100	300			300		kHz	
Lowest Practical							Hz	
Operating Frequency			0.01		0.01		K $\Omega$	
Timing Resistor, $R_0$				5		2000	K $\Omega$	
Operating Range	5		2000	5		100	K $\Omega$	
Recommended Range	15		100	15		100	K $\Omega$	
<b>LOOP PHASE DETECTOR SECTION</b>								Measured at Pin 11.
Peak Output Current	$\pm 150$	$\pm 200$	$\pm 300$	$\pm 100$	$\pm 200$	$\pm 300$	$\mu A$	
Output Offset Current		$\pm 1$			$\pm 2$		$\mu A$	
Output Impedance		1			1		M $\Omega$	
Maximum Swing	$\pm 4$	$\pm 5$		$\pm 4$	$\pm 5$		V	Referenced to Pin 10.
<b>QUADRATURE PHASE DETECTOR</b>								Measured at Pin 3.
Peak Output Current	100	150			150		$\mu A$	
Output Impedance		1			1		M $\Omega$	
Maximum Swing		11			11		Vpp	
<b>INPUT PREAMP SECTION</b>								Measured at Pin 2.
Input Impedance		20			20		K $\Omega$	
Input Signal							mV rms	
Voltage Required to Cause Limiting		2	10		2			
<b>VOLTAGE COMPARATOR SECTIONS</b>								Measured at Pins 3 and 8. $R_L = 5.1 K\Omega$ $I_C = 3 mA$ $V_O = 12V$
Input Impedance		2			2		M $\Omega$	
Input Bias Current		100			100		nA	
Voltage Gain	55	70		55	70		dB	
Output Voltage Low		300			300		mV	
Output Leakage Current		.01			.01		$\mu A$	
<b>INTERNAL REFERENCE</b>								Measured at Pin 10.
Voltage Level	4.9	5.3	5.7	4.75	5.3	5.85	V	
Output Impedance		100			100		$\Omega$	

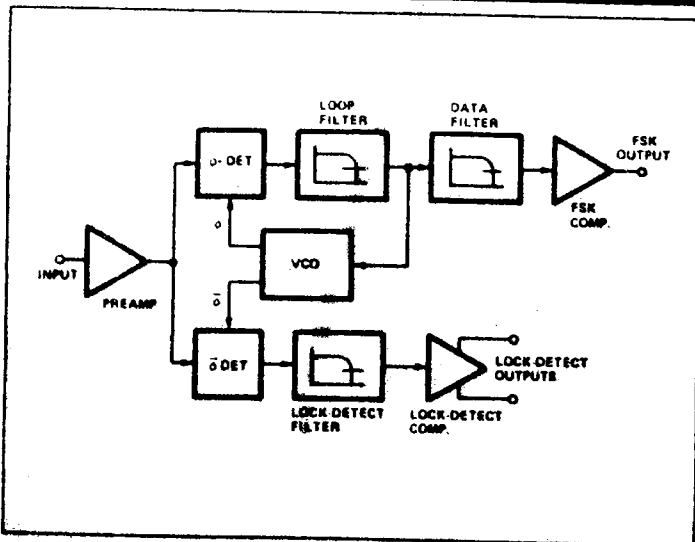


Figure 1. Functional Block Diagram of a Tone and FSK Decoding System Using XR-2211.

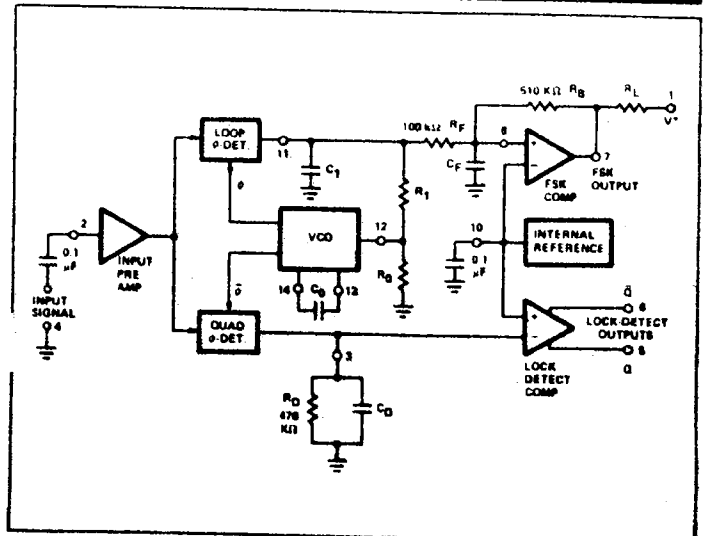


Figure 2. Generalized Circuit Connection for FSK and Tone Detection.

## XR-2211 FSK Demodulator/Tone Decoder

### Description

The XR-2211 is a monolithic phase-locked loop (PLL) system especially designed for data communications. It is particularly well suited for FSK modem applications. It operates over a wide supply voltage range of 4.5 to 20 V and a wide frequency range of 0.01 Hz to 300 kHz. It can accommodate analog signals between 2 mV and 3 V, and can interface with conventional DTL, TTL, and ECL logic families. The circuit consists of a basic PLL for tracking an input signal within the pass band, a quadrature phase detector which provides carrier detection, and an FSK voltage comparator which provides FSK demodulation. External components are used to independently set center frequency, bandwidth, and output delay.

### Features

- Wide Frequency Range 0.01 Hz to 300 kHz
- Wide Supply Voltage Range 4.5 V to 20 V
- DTL/TTL/ECL Logic Compatibility
- FSK Demodulation, with Carrier Detection
- Wide Dynamic Range 2 mV to 3 V rms
- Adjustable Tracking Range ( $\pm 1\%$  to  $\pm 80\%$ )
- Excellent Temp. Stability 20 ppm/ $^{\circ}\text{C}$ , typ.

### Applications

- FSK Demodulation
- Data Synchronization
- Tone Decoding
- FM Detection
- Carrier Detection

### Absolute Maximum Ratings

Power Supply	20 V
Input Signal Level	3 V rms
Power Dissipation	625 mW
• Derate above $T_A = +25^{\circ}\text{C}$	5.0 mW/ $^{\circ}\text{C}$
Operating Temperature	$0^{\circ}\text{C}$ to $+75^{\circ}\text{C}$

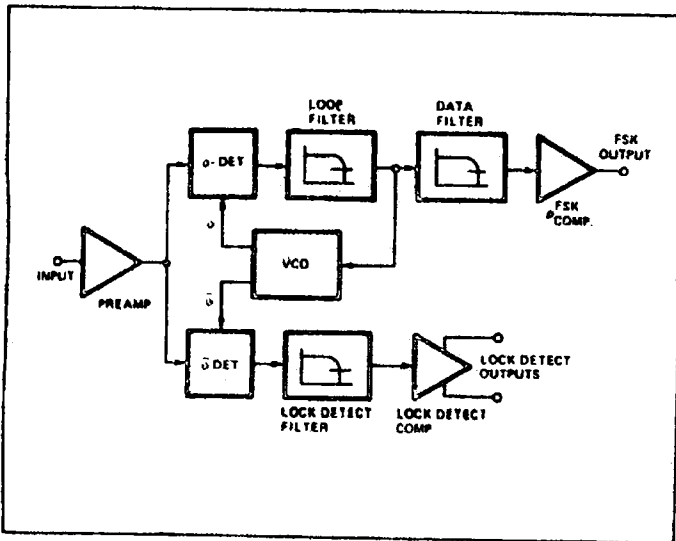
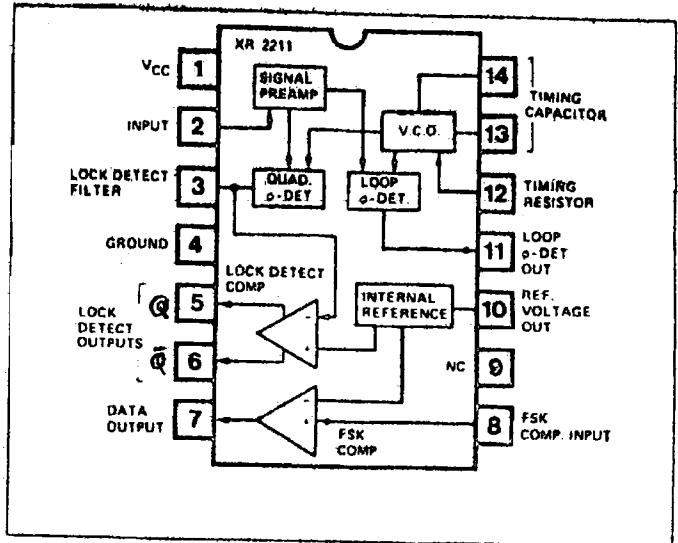


Figure 1: Functional Block Diagram of a Tone and FSK Decoding System Using XR-2211.

### Functional Block Diagram



### Description Of Circuit Controls

**Signal Input (Pin 2):** Signal is ac coupled to this terminal. The internal impedance at Pin 2 is 20 K $\Omega$ . Recommended input signal level is in the range of 10 mV rms to 3 V rms.

**Quadrature Phase Detector Output (Pin 3):** This is the impedance output of quadrature phase detector and is internally connected to the input of lock detect voltage comparator. In tone detection applications, Pin 3 is connected to ground through a parallel combination of  $R_D$  and  $C_D$  (see Figure 2) to eliminate the chatter at lock detect outputs. If the tone detect section is not used, Pin 3 can be left open circuited.

**Lock Detect Output, Q (Pin 5):** The output at Pin 5 is at "high" state when the PLL is out of lock and goes to "low" or conducting state when the PLL is locked. It is an open collector type output and requires a pull-up resistor,  $R_L$ , to  $V+$  for proper operation. At "low" state, it can sink up to 5 mA of load current.

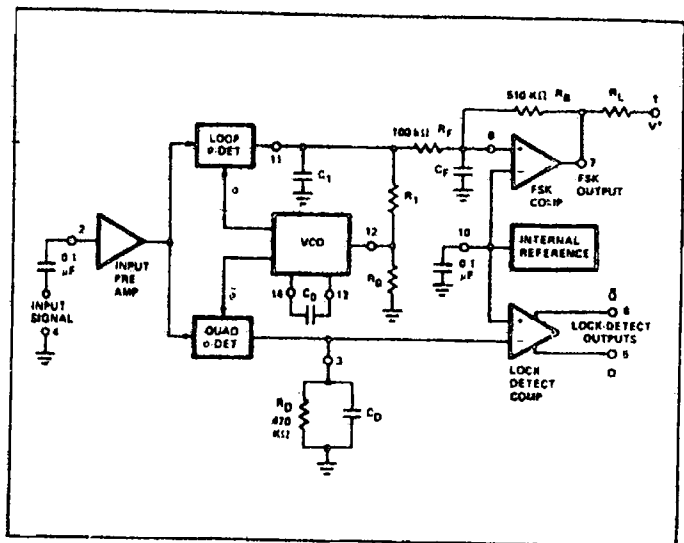


Figure 2: Generalized Circuit Connection for FSK and Tone Detection.

logic complement of the lock detect output at Pin 5. This output is also an open collector type stage which can sink 5 mA of load current at low or "on" state.

**FSK Data Output (Pin 7):** This output is an open collector logic stage which requires a pull-up resistor,  $R_L$ , to  $V_+$  for proper operation. It can sink 5 mA of load current. When decoding FSK signals, FSK data output is at "high" or "off" state for low input frequency, and at "low" or "on" state for high input frequency. If no input signal is present, the logic state at Pin 7 is indeterminate.

**FSK Comparator Input (Pin 8):** This is the high impedance input to the FSK voltage comparator. Normally, an FSK post-detection or data filter is connected between this terminal and the PLL phase detector output (Pin 11). This data filter is formed by  $R_F$  and  $C_F$  (Figure 2). The threshold voltage of the comparator is set by the internal reference voltage,  $V_R$ , available at Pin 10.

**Reference Voltage,  $V_R$  (Pin 10):** This pin is internally biased at the reference voltage level,  $V_R$ :  $V_R = V_+/2 \approx 650$  mV. The dc voltage level at this pin forms an internal reference for the voltage levels at Pins 5, 8, 11 and 12. Pin 10 *must* be bypassed to ground with a 0.1  $\mu$ F capacitor for proper operation of the circuit.

**Loop Phase Detector Output (Pin 11):** This terminal provides a high impedance output for the loop phase detector. The PLL loop filter is formed by  $R_1$  and  $C_1$  connected to Pin 11 (see Figure 2). With no input signal, or with no phase error within the PLL, the dc level at Pin 11 is very nearly equal to  $V_R$ . The peak voltage swing available at the phase detector output is equal to  $\pm V_R$ .

**VCO Control Input (Pin 12):** VCO free-running frequency is determined by external timing resistor,  $R_0$ , connected from this terminal to ground. The VCO free-running frequency,  $f_0$ , is:

$$f_0 = \frac{1}{R_0 C_0} \text{ Hz}$$

where  $C_0$  is the timing capacitor across Pins 13 and 14. For optimum temperature stability,  $R_0$  must be in the range of 10  $K\Omega$  to 100  $K\Omega$ .

This terminal is a low impedance point, and is internally biased at a dc level equal to  $V_R$ . The maximum timing current drawn from Pin 12 must be limited to  $\leq 3$  mA for proper operation of the circuit.

**VCO Timing Capacitor (Pins 13 and 14):** VCO frequency is inversely proportional to the external timing capacitor,  $C_0$ , connected across these terminals (see Figure 4).  $C_0$  must be nonpolar, and in the range of 200 pF to 10  $\mu$ F.

**VCO Frequency Adjustment:** VCO can be fine-tuned by connecting a potentiometer,  $R_X$ , in series with  $R_0$  at Pin 12 (see Figure 6).

**VCO Free-Running Frequency,  $f_0$ :** XR-2211 does not have a separate VCO output terminal. Instead, the VCO outputs are internally connected to the phase detector sections of the circuit. However, for set-up or adjustment purposes, VCO free-running frequency can be measured at Pin 3 (with  $C_0$  disconnected), with no input and with Pin 2 shorted to Pin 10.

## APPLICATIONS INFORMATION

### FSK Decoding:

Figure 6 shows the basic circuit connection for FSK decoding. With reference to Figures 2 and 6, the functions of external components are defined as follows:  $R_0$  and  $C_0$  set the PLL center frequency.  $R_1$  sets the system band width, and  $C_1$  sets the loop filter time constant and the loop damping factor.  $C_F$  and  $R_F$  form a one-pole post-detection filter for the FSK data output. The resistor  $R_B$  ( $= 510 K\Omega$ ) from Pin 7 to Pin 8 introduces positive feedback across FSK comparator to facilitate rapid transition between output logic states.

Recommended component values for some of the most commonly used FSK bands are given in Table 1.

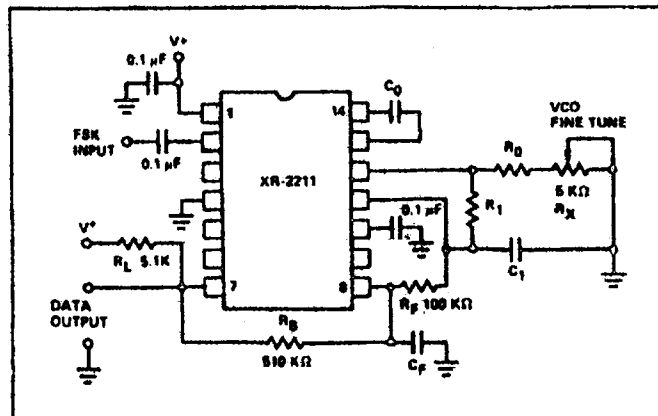


Figure 6: Circuit Connection for FSK Decoding.

### Design Example:

75 Baud FSK demodulator with mark space frequencies of 1110/1170 Hz:

- Step 1: Calculate  $f_0$ :  $f_0 = (1110 + 1170) (1/2) = 1140$  Hz
- Step 2: Choose  $R_0 = 20 K\Omega$  (18  $K\Omega$  fixed resistor in series with 5  $K\Omega$  potentiometer)
- Step 3: Calculate  $C_0$  from Figure 5:  $C_0 = 0.044 \mu$ F
- Step 4: Calculate  $R_1$ :  $R_1 = R_0 (2240/60) = 380 K\Omega$
- Step 5: Calculate  $C_1$ :  $C_1 = C_0/4 = 0.011 \mu$ F

Note: All values except  $R_0$  can be rounded to nearest standard value.

FSK BAND	COMPONENT VALUES
300 Baud $f_1 = 1070$ Hz $f_2 = 1270$ Hz	$C_0 = 0.039 \mu$ F $C_1 = 0.01 \mu$ F $R_1 = 100 K\Omega$ $C_F = 0.005 \mu$ F $R_0 = 18 K\Omega$
300 Baud $f_1 = 2025$ Hz $f_2 = 2225$ Hz	$C_0 = 0.022 \mu$ F $C_1 = 0.0047 \mu$ F $R_1 = 200 K\Omega$ $C_F = 0.005 \mu$ F $R_0 = 18 K\Omega$
1200 Baud $f_1 = 1200$ Hz $f_2 = 2200$ Hz	$C_0 = 0.027 \mu$ F $C_1 = 0.01 \mu$ F $R_1 = 30 K\Omega$ $C_F = 0.0022 \mu$ F $R_0 = 18 K\Omega$

Table 1: Recommended Component Values for Commonly Used FSK Bands. (See Circuit of Figure 6.)

# ELECTRICAL CHARACTERISTICS

Test Conditions:  $V^+ = +12\text{ V}$ ,  $T_A = +25^\circ\text{C}$ ,  $R_0 = 30\text{ K}\Omega$ ,  $C_0 = 0.033\text{ }\mu\text{F}$ . See Figure 2 for component designation.

PARAMETERS	MIN.	TYP.	MAX.	UNIT	CONDITIONS
<b>GENERAL</b> Supply Voltage Supply Current	4.5	5	20 9	V mA	$R_0 \leq 10\text{ K}\Omega$
<b>OSCILLATOR SECTION</b> Frequency Accuracy Frequency Stability Temperature Power Supply  Upper Frequency Limit Lowest Practical Operating Frequency Timing Resistor, $R_0$ Operating Range Recommended Range		$\pm 1$ $\pm 20$ 0.08 0.2 300  0.01		% ppm/ $^\circ\text{C}$ %/V %/V kHz Hz K $\Omega$ K $\Omega$	Deviation from $f_0 = 1/R_0C_0$ $R_1 = \infty$  $V^+ = 12 \pm 1\text{ V}$ , $V^+ = 5 \pm 0.5\text{ V}$ , $R_0 = 8.2\text{ K}\Omega$ , $C_0 = 400\text{ pF}$  $R_0 = 2\text{ M}\Omega$ , $C_0 = 50\text{ }\mu\text{F}$
<b>LOOP PHASE DETECTOR SECTION</b> Peak Output Current Output Offset Current Output Impedance Maximum Swing	$\pm 100$	$\pm 200$ $\pm 2$ 1 $\pm 5$	$\pm 300$	$\mu\text{A}$ $\mu\text{A}$ M $\Omega$ V	Measured at Pin 11.  Referenced to Pin 10.
<b>QUADRATURE PHASE DETECTOR</b> Peak Output Current Output Impedance Maximum Swing		150 1 11		$\mu\text{A}$ M $\Omega$ V pp	Measured at Pin 3.
<b>INPUT PREAMP SECTION</b> Input Impedance Input Signal Voltage Required to Cause Limiting		20 2		K $\Omega$ mV rms	Measured at Pin 2.
<b>VOLTAGE COMPARATOR SECTIONS</b> Input Impedance Input Bias Current Voltage Gain Output Voltage Low Output Leakage Current		2 100 70 300 0.01		M $\Omega$ nA dB mV $\mu\text{A}$	Measured at Pins 3 and 8.  $R_L = 5.1\text{ K}\Omega$ $I_C = 3\text{ mA}$ $V_O = 12\text{ V}$
<b>INTERNAL REFERENCE</b> Voltage Level Output Impedance	4.75	5.3 100	5.85	V $\Omega$	Measured at Pin 10.

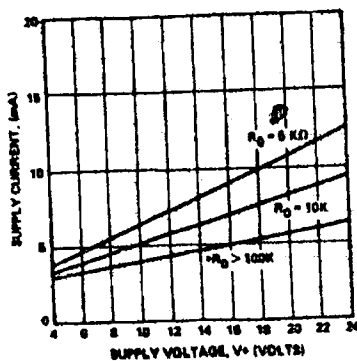


Figure 3: Typical Supply Current vs  $V^+$   
(Logic Outputs Open Circuited)

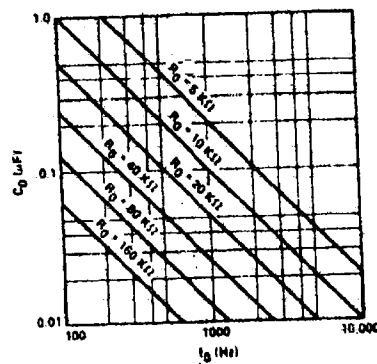


Figure 4: VCO Frequency vs Timing Resistor.

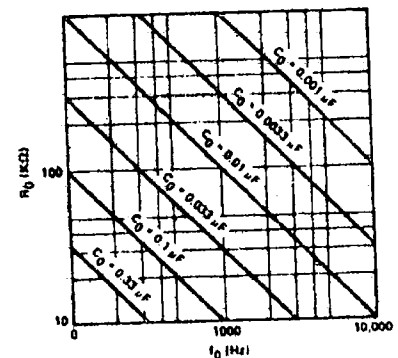


Figure 5: VCO Frequency vs Timing Capacitor.

## TONE DETECTION:

Figure 7 shows the generalized circuit connection for tone detection. The logic outputs, Q and  $\bar{Q}$  at Pins 5 and 6 are normally at "high" and "low" logic states, respectively. When a tone is present within the detection band of the PLL, the logic state at these outputs become reversed for the duration of the input tone. Each logic output can sink 5 mA of load current.

Both logic outputs at Pins 5 and 6 are open collector type stages, and require external pull-up resistors  $R_{L1}$  and  $R_{L2}$ , as shown in Figure 7.

With reference to Figures 2 and 7, the functions of the external circuit components can be explained as follows:  $R_0$  and  $C_0$  set VCO center frequency;  $R_1$  sets the detection bandwidth;  $C_1$  sets the low pass-loop filter time constant and the loop damping factor.  $R_{L1}$  and  $R_{L2}$  are the respective pull-up resistors for the Q and  $\bar{Q}$  logic outputs.

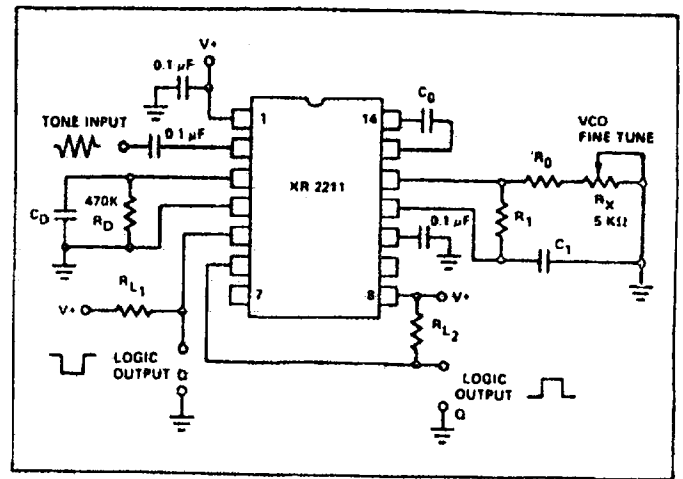


Figure 7: Circuit Connection for Tone Detection.

Typical values for detection band of 1 kHz  $\pm$ 20 Hz:

$$R_0 = 18K$$

$$C_0 = 0.05 \mu F$$

$$R_1 = 1 \text{ meg}$$

$$C_1 = 0.013 \mu F$$

$$C_D = 0.42 \mu F$$

Fine-tune center frequency with  $R_X$

**RADIO SHACK, A DIVISION OF TANDY CORPORATION**

**U.S.A.: FORT WORTH, TEXAS 76102**  
**CANADA: BARRIE, ONTARIO L4M 4W5**

**TANDY CORPORATION**

**AUSTRALIA**  
 91 KURRAJONG AVENUE  
 MOUNT DRUITT, N.S.W. 2770

**BELGIUM**  
 PARC INDUSTRIEL DE NANINNE  
 5140 NANINNE

**U. K.**  
 BILSTON ROAD WEDNESBURY  
 WEST MIDLANDS WS10 7JN